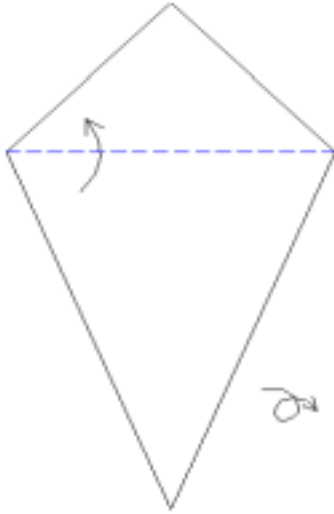
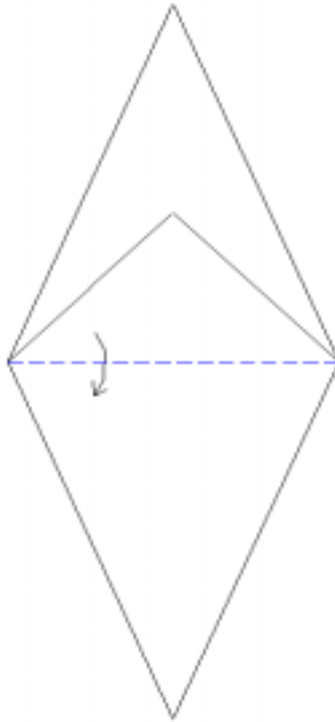


1)



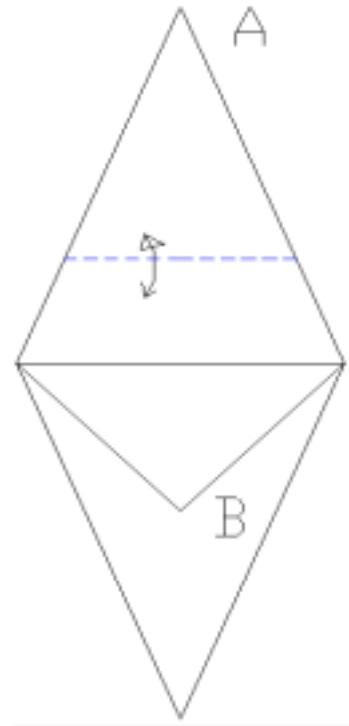
Begin with a bird base, colored side out, and fold the front flap all the way up. Turn the model over. Note that no shading is shown because there are no color changes, and it makes some of the folds easier to see.

2)



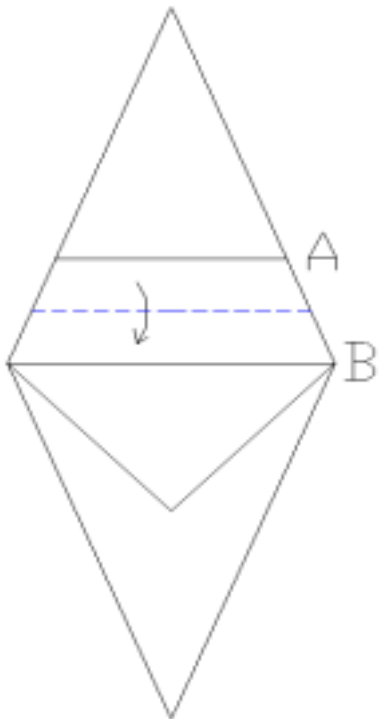
Fold the triangular peak all the way down.

3)



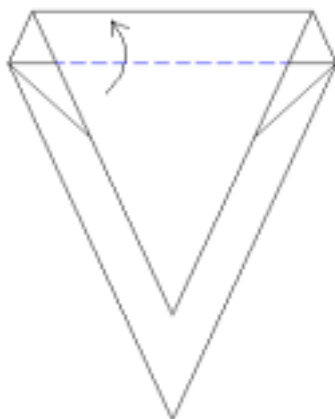
Fold tip 'A' to tip 'B'. Unfold.

4)



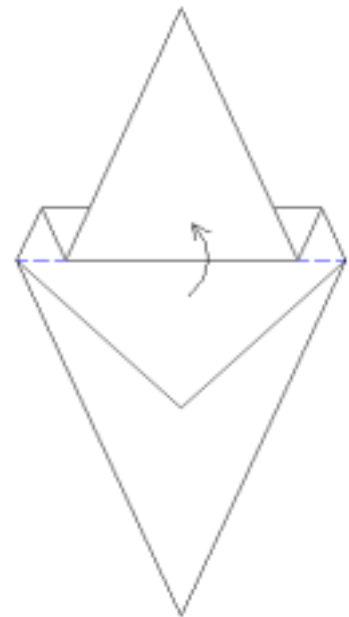
Fold crease 'A' to crease 'B'.

5)



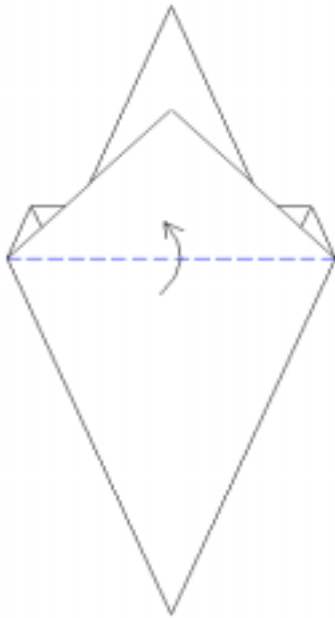
Fold the top flap up along the existing crease. This will become the cockpit.

6)



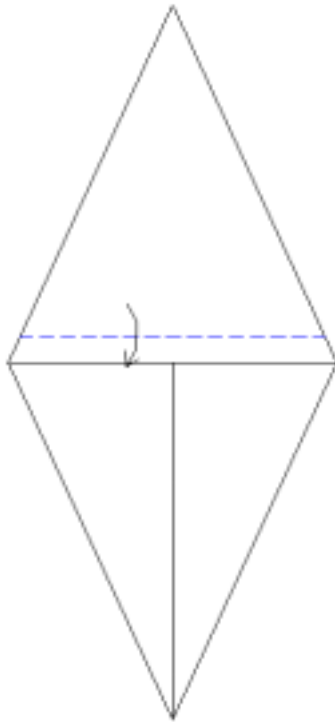
Fold the triangular peak all the way up.

7)



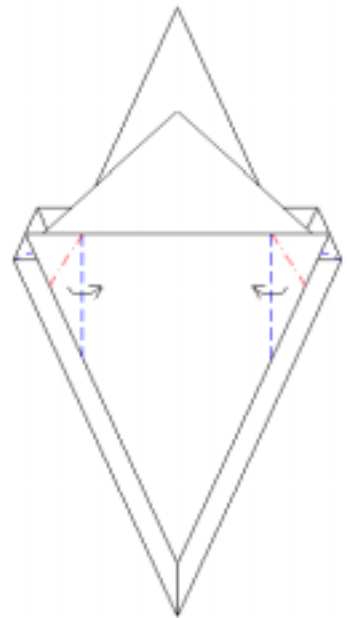
Fold the bottom flap all the way up. This will become the main wing

8)



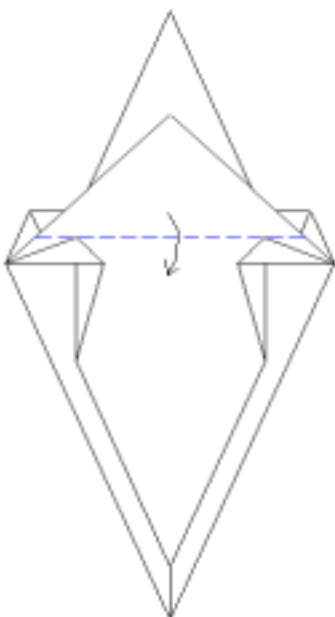
Fold the wing flap down, about half way between the crease you just made and the edge formed from creasing the top flap. The exact amount is not important.

9)



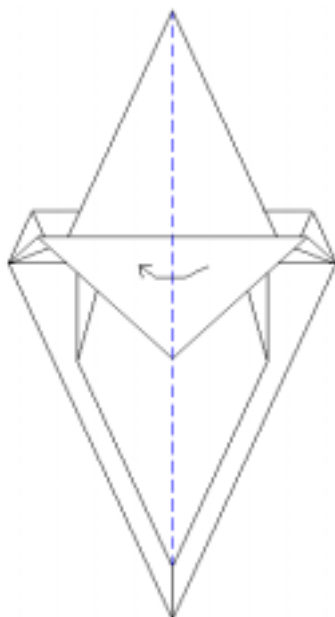
Squash the sides of the wing flap so that the edges are vertical. Again, the exact amount is not important, but try to line up the intersection of the top of the horizontal creases and the cockpit flap with the vertical crease. The intersection is hidden in the diagram.

10)



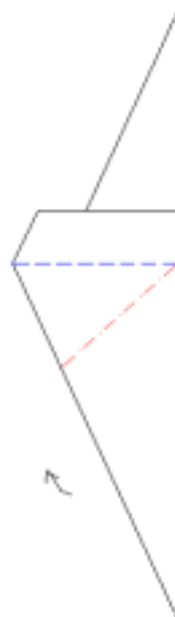
Fold the triangular peak down at the crease you made in step 8.

11)



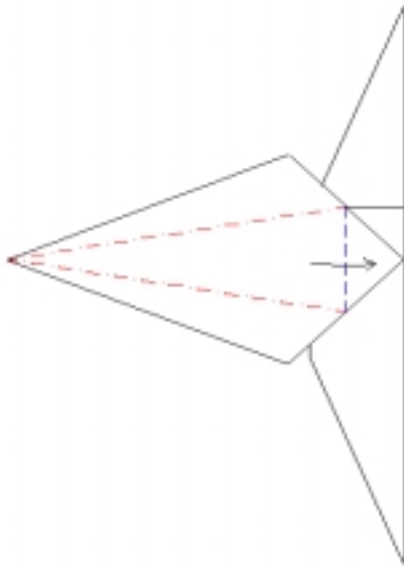
Fold the model in half along the vertical axis from right to left.

12)



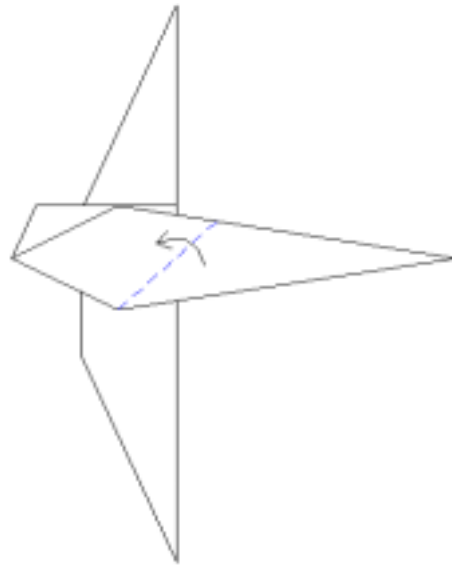
Squash-fold the top flap up and to the left. Repeat on the flap on the back. These will

13)



Petal fold the s-foil right. Repeat behind.

14)



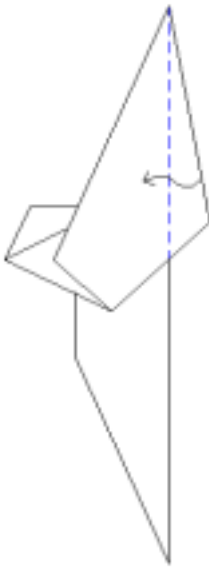
Fold the flap up and to the left along a 45° line. Repeat behind.

15)



Unfold the fold on the left side that was made when you made the petal-fold in step 13. Repeat behind.

16)



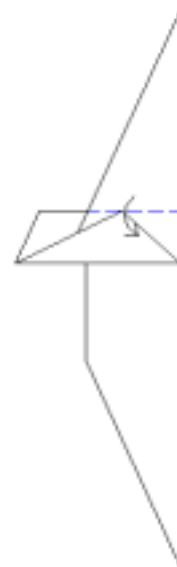
Fold the front half of the s-foil back along the centerline, and tuck it under the top sheet of paper. Repeat behind.

17)



Fold the flap up along the horizontal. Repeat behind.

18)



Fold the s-foil down as far as you can. This crease will be horizontal, and will fall along the edge of the engine pod. Repeat behind.

19)



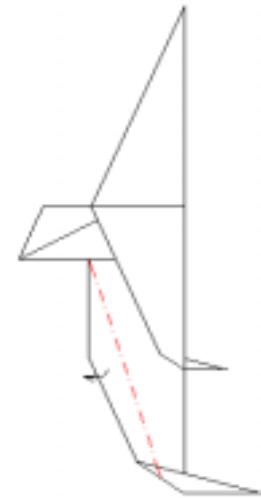
Inside-reverse fold the tip of the s-foil to make the wingtip cannon. If you treat the flap you folded inside in step 17 as one side, and do the reverse between that flap and the single sheet, you will end up with the bottom of the cannon white. Repeat behind.

20)



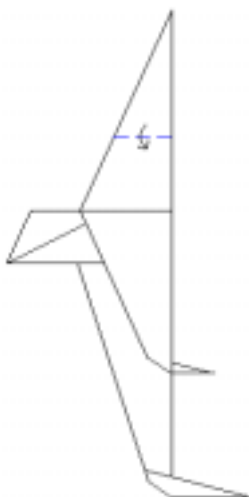
Outside-reverse fold the end of the main wing to make the main wing cannon.

21)



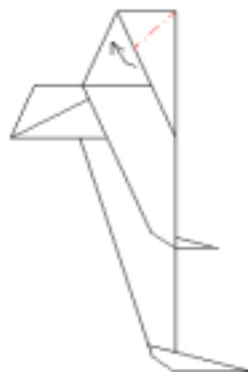
Finish forming the main wing by folding this flap inside the body. The midpoint of the 45° line made by the outside-reverse fold makes the bottom endpoint of the crease. The exact position, however, is not important, as long as it looks good. Repeat behind.

22)



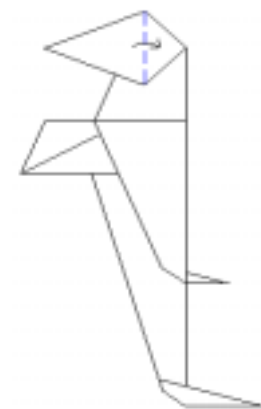
Fold the tip of the cockpit flap down to the bottom horizontal crease.

23)



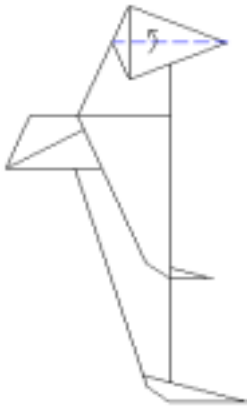
Squash the flap up and to the left.

24)



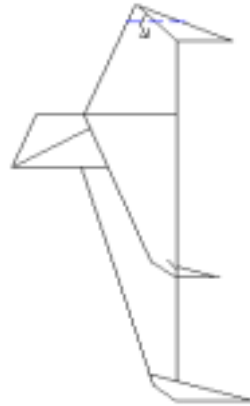
Fold the flap over as far as you can to the right.

25)



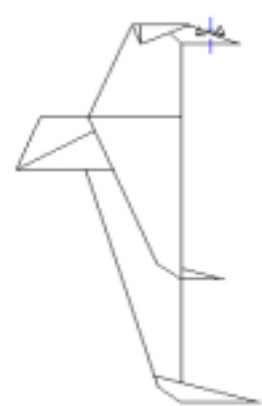
Fold the lower half of the flap up.

26)



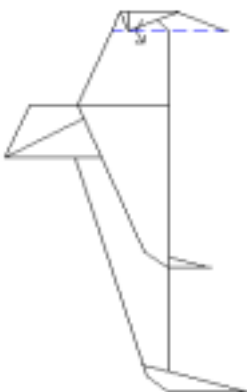
Fold the tip down to the crease that formed in the last step. Repeat behind.

27)



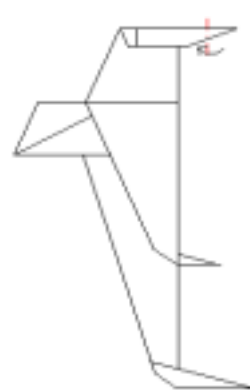
Fold the tip to the vertical edge and unfold.

28)



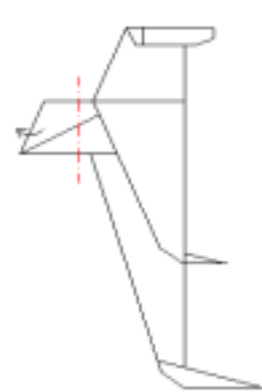
Fold the flap down along the crease made in step 26. Repeat behind.

29)



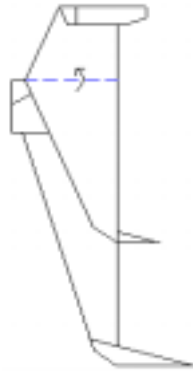
Fold the tip of the nose in along the crease made in step 28.

30)

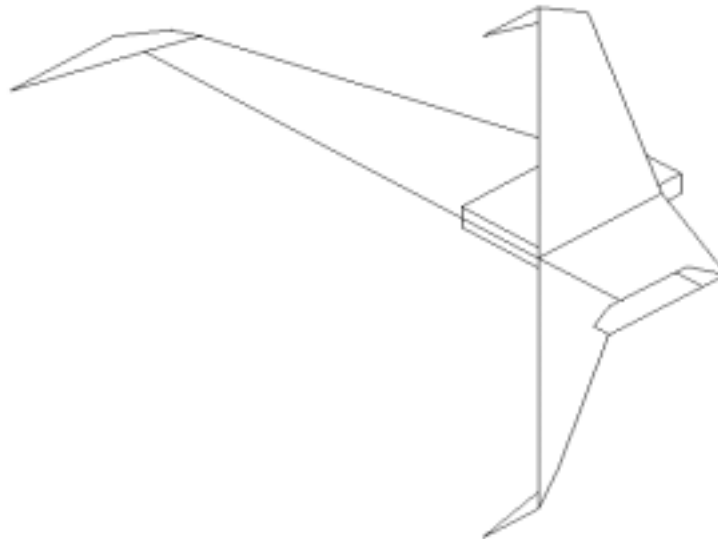


Fold the back of the engine pod into the body. Repeat behind.

31)



Fold the s-foils up to a horizontal position,
and your B-Wing is ready to fly.



The completed B-Wing. This is a pretty crude isometric view, but hey, I don't do this for a living. There are two things I am unhappy with; the S-Foils should be below the engine pod, and the model is so thick that it needs a locking mechanism. Maybe those items will get fixed in a future revision (i.e., when I have more time).

Liens vers type 1



<http://www.ciberlibreria.info>



<http://www.cyberlibrairie.info>



<http://www.cyberlibreria.info>



<http://www.epapier.net>



<http://www.etheque.info>



<http://www.jelis.info>



<http://www.librairievirtuelle.info>



<http://www.livre-cd-gratuit.com>



<http://www.livres-electronique.com>



<http://www.telecharger-livre.com>



<http://www.webrairies.info>

W^LB^rairie

La librairie du web

<http://www.webrairie.com>



Distribuez vos livres :

<http://www.webrairie.com/editeur/index.php>