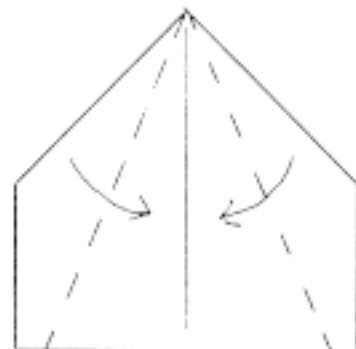


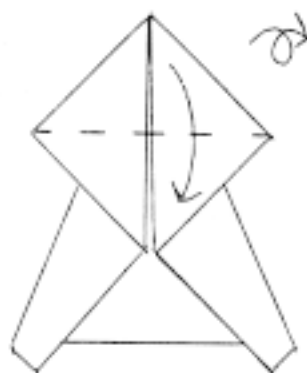
1. This will be the color of the body. Fold in half.



2. This will be the color of the wings. Fold corners, and remove fold from step 1.



3. Fold to center pulling flaps from behind.



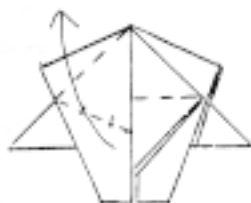
4. Valley fold top. Turn over.



5. Rabbit-ear bottom, using the intersection of folds on back as a guide.



6. Precrease.



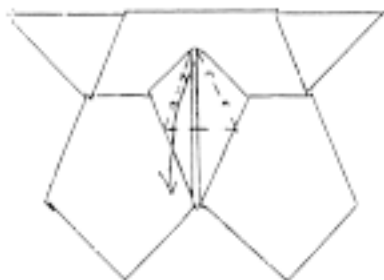
7. Form an asymmetrical squash fold.



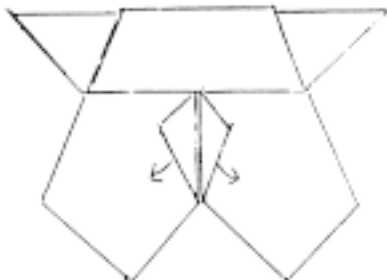
8. Valley-fold flap. Repeat steps 6-8 on the other side.



9. Squash fold the center flap.



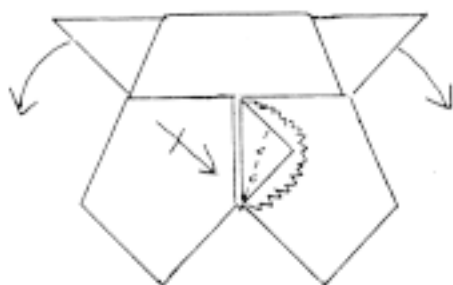
10. Petal fold flap downward.



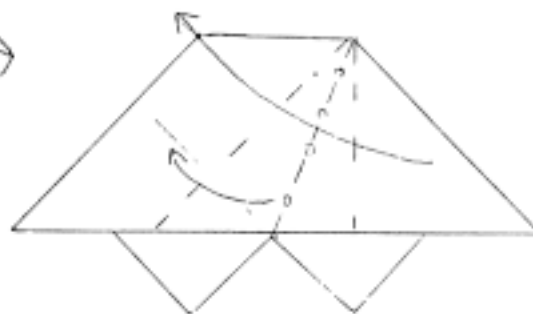
11. Pull out a single layer from each side.



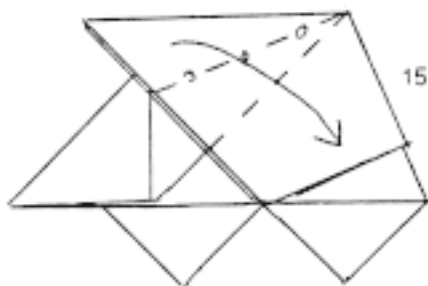
12. Hide the center square by pulling a layer of paper from behind each side.



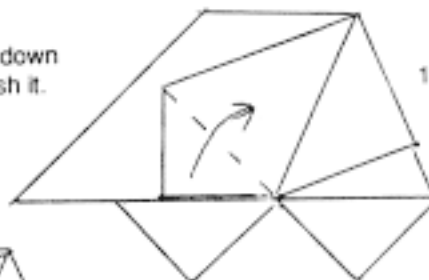
13. Reverse fold the hidden flaps. Pull out top corners, undoing the crimp. Turn over.



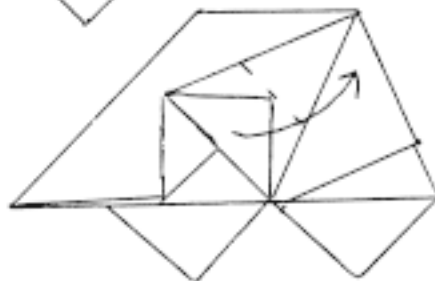
14. Swing flap up while crimping; note the intersections.



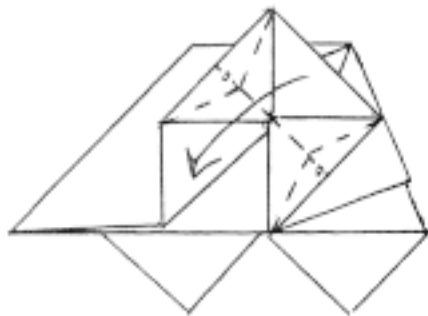
15. Valley fold flap down and then squash it.



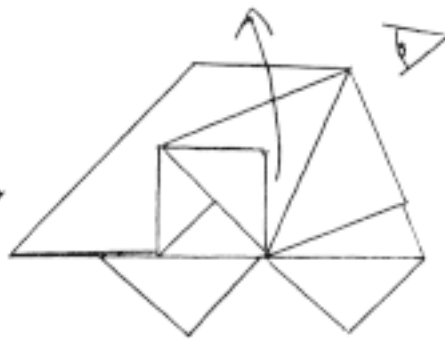
16. Valley fold the corner up.



17. Fold up, spreading out the inner layers.



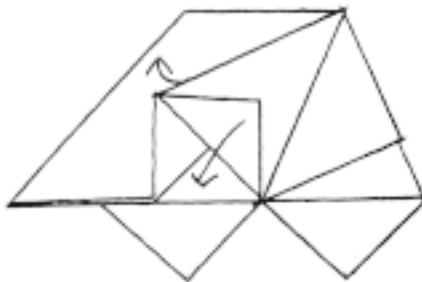
18. Fold down while reverse-folding the sides.



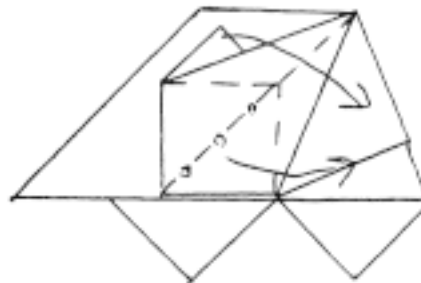
19. Open out one side.



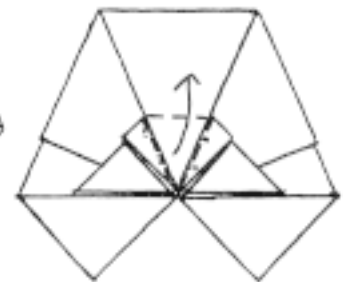
20. View from 19: Collapse by inserting valley folds between the existing creases, working from the inside towards the outside. Note: this is Aaron Einbond's favorite step.



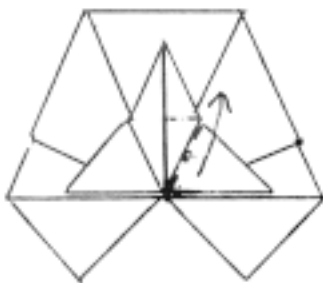
21. Fold down the corner and undo one of the side reverse folds.



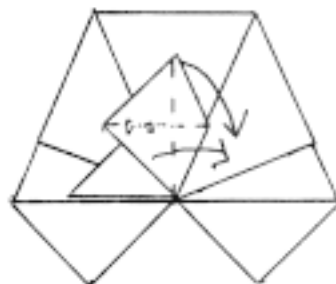
22. Fold flap over while reverse folding the bottom single layer. Repeat steps 14-22 on the other side.



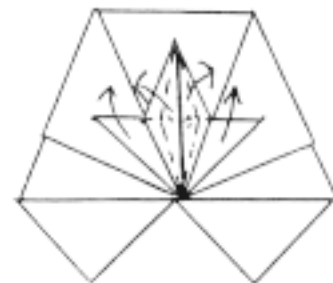
23. Petal fold the center flap.



24. Squash fold one of the sides.



25. Fold the single-layered triangle over and then fold in half downwards. Repeat steps 24-25 on the other side.



26. Fold flaps up while reverse folding the top center layers outwards.



27. Right "triangle" shown only; Reverse fold. Repeat on the other side.



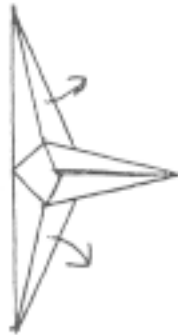
28. Reverse fold. Repeat on the other side.



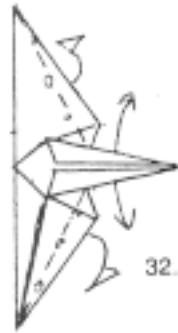
29. Fold the sides of the top layer to the center. Repeat on other side.



30. Reverse fold. Repeat on the other side.



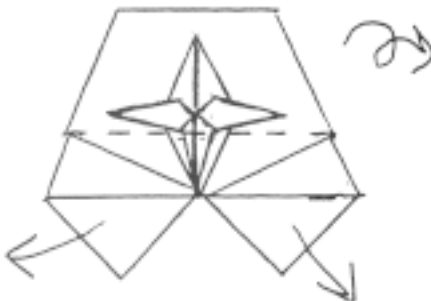
31. Carefully pull out the top layer from each side. Repeat on the other side.



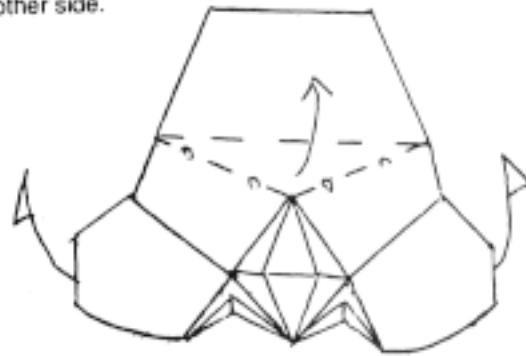
32. Mountain fold the just pulled layer around as many layers as possible. Open out the top to a preliminary fold formation. Repeat on the other side.



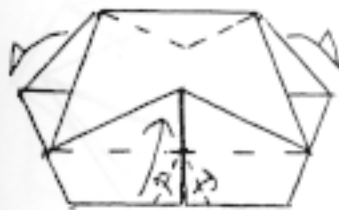
33. Reverse fold along existing creases. Repeat on the other side.



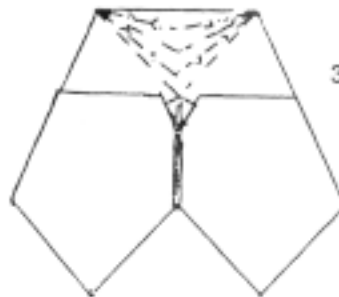
34. Precrease first. Open out the front and turn over.



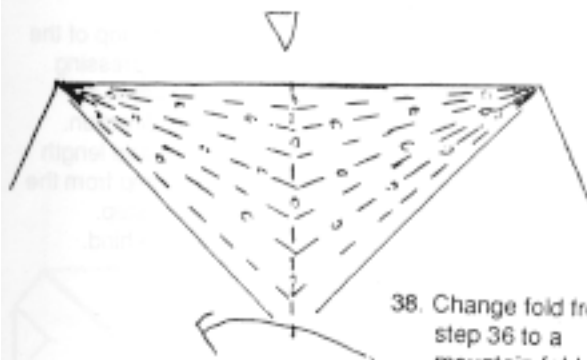
35. While retaining the folds from steps 9-13, pull the center portion up, and flatten the model by swinging the wings to the back.



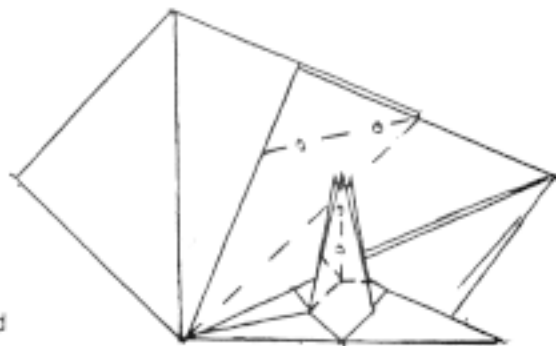
36. Valley fold bottom corners. Fold the bottom up while swinging the back down. Precrease top as indicated.



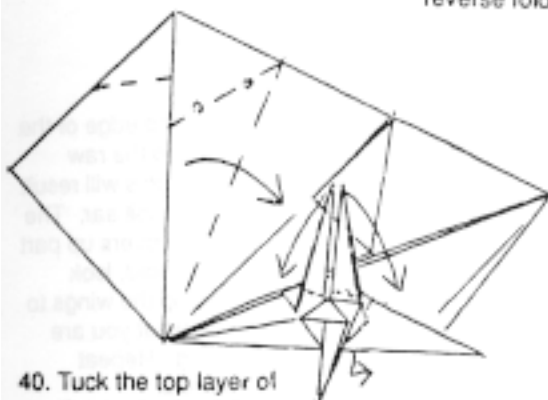
37. Insert additional precreases by forming a series of reverse folds and opening them up.



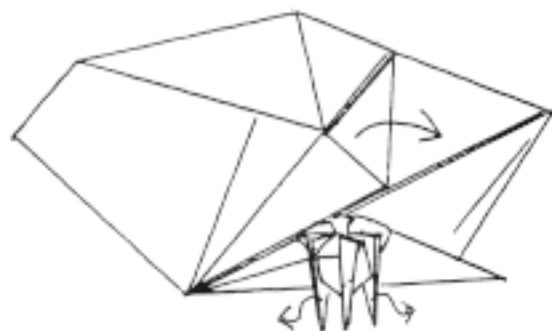
38. Change fold from step 36 to a mountain fold, and insert valley folds in between the existing mountain folds working towards the outside. These are all essentially reverse folds.



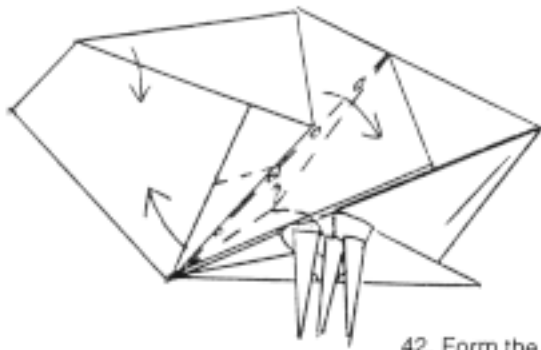
39. Model Rotated: Fold the center leg down as indicated. Crimp the thickness on the wing. Repeat all steps behind.



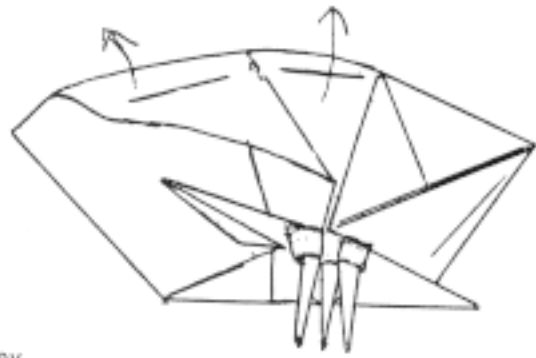
40. Tuck the top layer of the center leg into the pocket beneath it. Reverse fold the other legs down. The layers will not be distributed evenly. Squash where indicated on the wing. Repeat all steps behind.



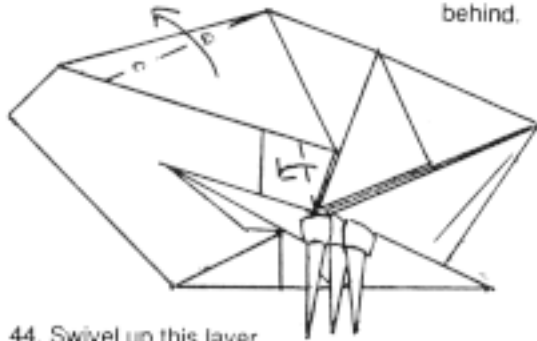
41. Tuck in the top layers of the outer legs into their respective pockets underneath. Unfold the triangular flap on the wing. Note how its tip touches the creases from the previous squash. Repeat all folds behind.



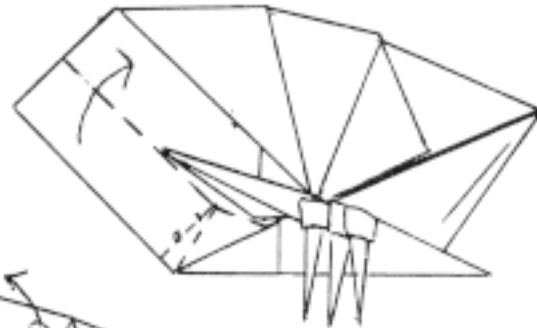
42. Form the long valley fold on the top single layer only. This will cause the model to be 3-D. Flatten the antenna by crimping it upwards. Repeat behind.



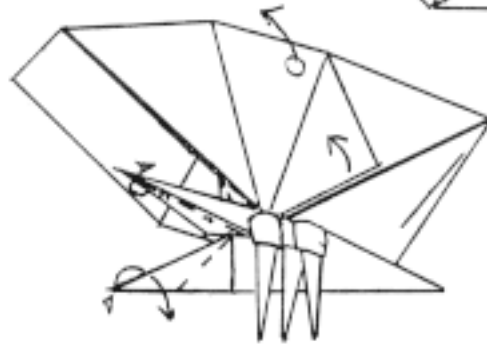
43. Flatten the top of the wings by pressing the top flat in an upward direction. This will add length to the crimp from the previous step. Repeat behind.



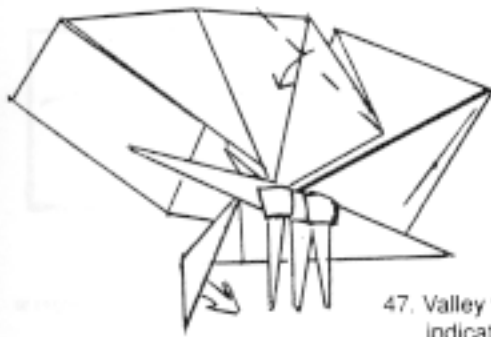
44. Swivel up this layer so that its raw edge is parallel to the lower raw edge at the wing. Repeat behind.



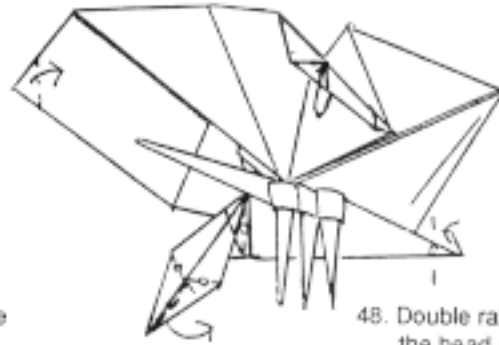
45. Fold the edge of the wing to the raw edge; this will result in a rabbit ear. The head covers up part of the fold, look behind the wings to see what you are doing. Repeat behind.



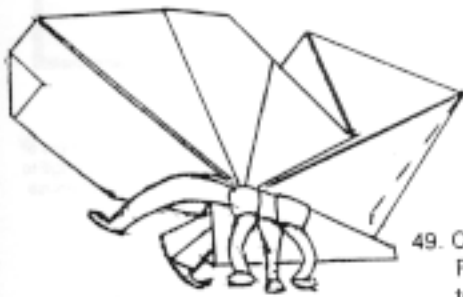
46. Thin the antennae using reverse folds. Outside-reverse fold the head. Pull the wing sections apart from where indicated by the circle. Repeat behind.



47. Valley fold where indicated on the wings. Repeat behind. Pull out a single layer of paper from the head. You will have to open the head to accomplish this.

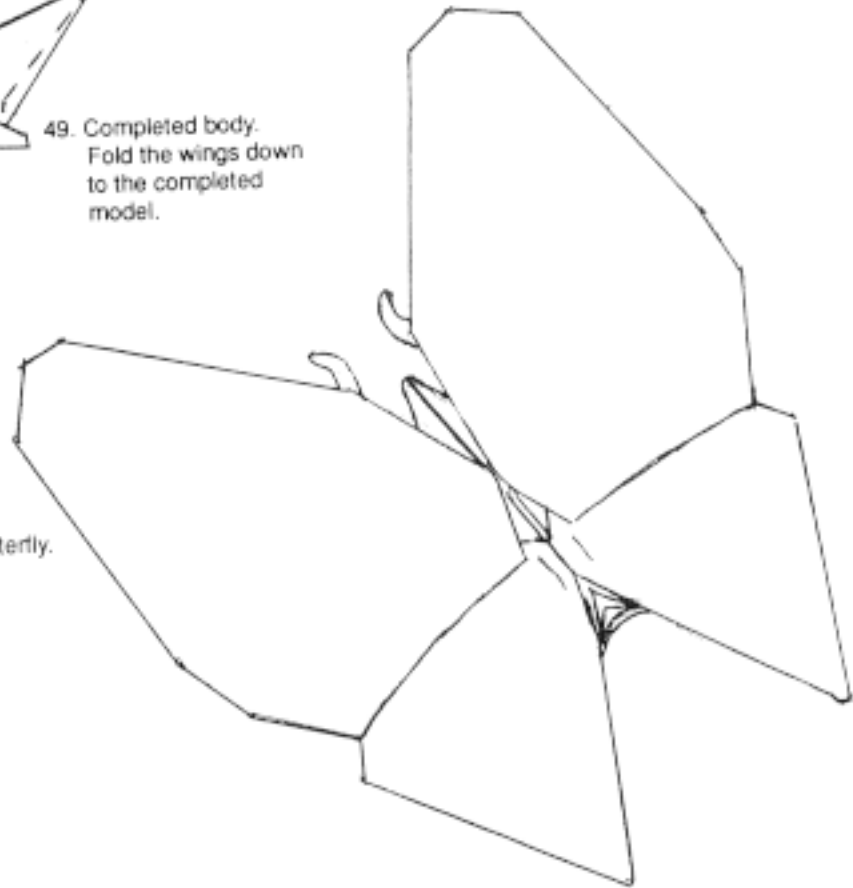


48. Double rabbit-ear the head and curl the top. Crimp the head into the body. Shorten the tail. Close and sink the flap folded in step 47. Repeat behind. Shape the legs and the antennae.



49. Completed body. Fold the wings down to the completed model.

50. Completed Butterfly.



Liens vers type 1



<http://www.ciberlibreria.info>



<http://www.cyberlibrairie.info>



<http://www.cyberlibreria.info>



<http://www.epapier.net>



<http://www.etheque.info>



<http://www.jelis.info>



<http://www.librairievirtuelle.info>



<http://www.livre-cd-gratuit.com>



<http://www.livres-electronique.com>



<http://www.telecharger-livre.com>



<http://www.webrairies.info>

W^LB^rairie

La librairie du web

<http://www.webrairie.com>



Distribuez vos livres :

<http://www.webrairie.com/editeur/index.php>